

21 JOULE XENON BEACONS

EExd(e), Weatherproof

XB4 Range



Introduction

These **high output (21 Joule)** beacons have been designed for use in potentially explosive atmospheres and harsh environmental conditions. The marine grade alloy or stainless steel enclosures are suitable for use offshore or onshore, where light weight combined with corrosion resistance and strength is required. Units can be painted to customer specification and fitted with identification labels.

Available with optional EExe terminal chamber.

- ★ Zone 1 and Zone 2 use.
- ★ EExde IICT5.
- ★ ATEX approved Ex II 2G.
- ★ CENELEC approved.
- ★ BASEEFA certified.
- ★ UL Listed for USA and Canada
 - Hazardous locations:
 - Class I, Div 1, Groups C & D.
 - Class I, Zone 1, AExd IIB T4.
 - Ordinary locations: Visual-Signal Device.
- ★ GOST 'R' Certified.
- ★ Australian (SAA) certified.
- ★ *Certified temperature -55°C to $+70^{\circ}\text{C}$.
- ★ IP67 and IP66.
- ★ Stainless steel or marine grade alloy.
- ★ Various lens colours.
- ★ Twin replaceable tubes.
- ★ EExde version has gland earth continuity in the GRP terminal chamber.
- ★ Tapered spigot flame path.
- ★ Telephone or relay initiated option.
- ★ Optional lens guard.

*Depending on version.

MEDC Ltd, Colliery Road,
Pinxton, Nottingham NG16 6JF, UK.
Tel: +44 (0)1773 864100
Fax: +44 (0)1773 582800

MEDC International, 5829 West Sam Houston Parkway,
North, Suite 1005, Houston, Texas 77041, USA.
Tel: +1 (713) 937 9772
Fax: +1 (713) 937 9773

MEDC Norway, Auglaendsmyråa 6,
4016, Stavanger, Norge.
Tel: +47 51 82 98 98
Fax: +47 51 82 98 91

Sales Enq. Fax: +44 (0)1773 582830 Sales Orders Fax: +44 (0)1773 582832
E-Mail: sales@medc.com Web: www.medc.com



Specification

Voltage	DC			AC 50/60 Hz				
	24	48	110	110	120	220	240	254
Tube Energy (Joules)	21	21	21	21	21	21	21	21
Peak Current Consumption (mA)	1400	540	240	350	450	240	185	210
Effective Intensity (Cd)	355	355	355	355	355	355	355	355
Peak Intensity (Cd)	123691	123691	123691	123691	123691	123691	123691	123691

NOTE: The above figures (Cd) are for a clear lens @ 1Hz flash rate.
The photometric data has been verified by BSI. A report is available if required.

FOR COLOURED LENSES

Colour	Red	Blue	Amber	Green	Yellow
Multiplying Factor (Approximate)	0.15	0.12	0.51	0.49	0.86

Telephone initiation or relay interface:

Initiation by telephone ringing tone or low voltage control signals, plus initiation of a second beacon or sounder.

Terminals: EExe: 6 off suitable for up to 6mm² cable. (With telephone initiate 10 x 2.5mm²).
EExd: 8 off suitable for up to 10mm² cable.

Entries: Up to 3 x 20mm or 2 x 25mm ISO in EExd unit.
Up to 4 x 20mm or 4 x 25mm ISO in EExe unit.

Materials: LM25TF Marine Grade Alloy body.
Grade 316 ANC4B Stainless Steel body.
Glass reinforced polyester (GRP) terminal chamber.
Toughened Wellglass.

Weights: EExd: 6.6kg. EExde: 7.6kg. Add 8.4kg for stainless steel version.

Finish: Red epoxy paint finish as standard or to customer's specification.

Certification: CENELEC EN50014 and EN50018 and EN50019.
Certification Baseefa02ATEX0224X.
BASEEFA EExd IIC T5 or EExde IIC T5. (T4 at 55°C).

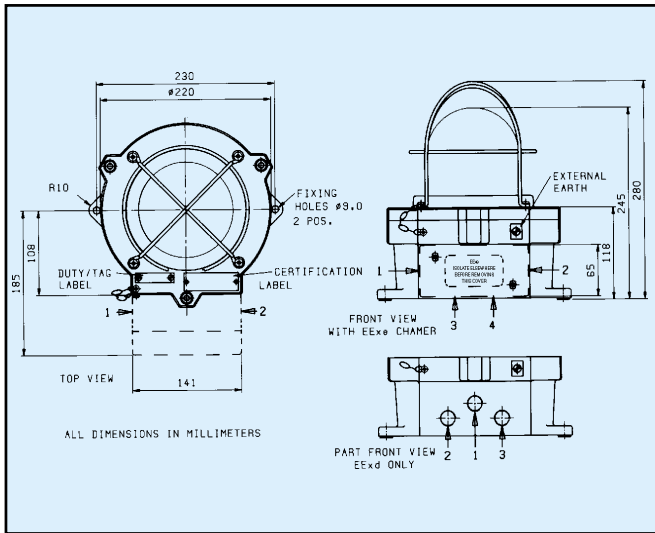
UL Listed for USA and Canada

- Hazardous locations:
Class I, Div 1 Groups C-D
Class I, Zone 1.
Listing No. E187894.

- Ordinary locations: Visual-Signal Device.
Listing No. S8128.

Refer to UL data sheet at rear of catalogue for complete information.
GOST 'R' Certification: 1 Exd IIC T4. Cert. No. A-0756.

Australian Certification: Contact MEDC for specification.



Certified Temperature:
UL -25°C to +70°C BASEEFA & GOST -50°C to +55°C (EExde).
-55°C to +55°C (EExd).

Ordering Requirements

The following code is designed to help in the selection of the correct unit. Build up the reference number by inserting the code for each component into the appropriate box. **For standard products, available ex-stock, contact sales office for details.**

Type	Certification	Voltage	Terminals	Cable Entries	Flash Rate	Initiate Options	Lens Guard	Lens Colour	Tag/Duty Label	Material	Finish
XB4											

Voltage	Code
24VDC	B
48VDC	C
110VDC	D
110VAC	E
120VAC	F
220VAC	G
240VAC	H
254VAC	J

Entries	Code
20mm	*B
25mm	*C
1/2" NPT	*D
3/4" NPT	*E

*prefix entry size (see diagram above) with entry position code e.g. 1B2B.

Flash Rate	Code
60/min.	06
120/min.	12
240/min.	24

Terminals & Type	Code
*6 x 6mm ² (EExe)	6E
8 x 10mm ² (EExd)	8D

*UL and GOST not available EExe.

Initiate Options (XB4 only)	Code
None	A
Telephone	B
Telephone & 2nd Beacon/Sounder	C
*Relay (12V-48VAC/DC)	D
*Relay (12V-48VAC/DC) & 2nd Beacon/Sounder	E

*Specify AC/DC voltage

Lens Guard	Code
None	N
Yes	Y

Colour	Code
Red	*R
Blue	*B
Green	*G
Yellow	*Y
Amber	*A
Clear	*C

*Prefix lens colour with:
0 = plain

Duty Label	Code
None	N
Yes	Y

(Please specify)

Finish	Code
Red	R
Blue	B
Yellow	Y
Yellow/Black Stripe	X
Grey	G
White	W
Other - specify	S

Material	Code
Stainless steel	0
Alloy	1

Certification	Code
BASEEFA	B
*UL	UL
*UL (ordinary locations)	ULW
GOST 'R' Exd	G

*UL - available alloy or stainless steel.
- 24v d.c., 110v a.c.,
- 240v a.c. only.



All the above specifications, dimensions, weights and tolerances are nominal (typical) and MEDC reserve the right to vary all data without prior notice. No liability is accepted for any consequence of use.