

HEAT DETECTOR EExd, EExem & Intrinsically Safe (EExia) HD1 Range



EExd version (optional guard)

**Now GOST 'R' & 'K'
& Chinese Certified**



EExia/EExem versions (optional guard)

Introduction

The MEDC-Hawco heat detector has been designed for use in hazardous environments. These units are suitable for fire alarm and/or suppression systems in offshore and onshore applications including paint spray booths, flammable material stores, turbine rooms, extract ductwork and other hazardous areas throughout the oil & gas, petrochemical and process industries.

Comprising a Fenwal rate-compensated detector with all-stainless steel external construction, mounted to either a type SM87 marine grade alloy enclosure (EExd version) or JB10 corrosion-free GRP enclosure (EExia, EExem versions). The contact in the detector CLOSSES at alarm temperature.

To select appropriate temperature setting see specification on reverse.

- ★ Zone 0, Zone 1 and Zone 2 use.
- ★ EExia IIC T4/T6, EExd IIB T3/T6 or EExem II T6.
- ★ ATEX approved – Ex II 1G (EExia)
– Ex II 2G (EExd/EExem).
- ★ BASEEFA certified.
- ★ GOST 'R' & 'K' certified.
- ★ Chinese (CQST) certified.
- ★ IP66 & IP67.
- ★ Certified temperature:
 - 20°C to +125°C (EExd)*.
 - 20°C to +55°C (EExem).
 - 55°C to +55°C (EExia).
- ★ Stainless steel probe.
- ★ Detector temperature settings: 60°C to 385°C, (140°F to 725°F).
- ★ Marine grade alloy or GRP enclosure.
- ★ Optional guard.
- *Model dependent.

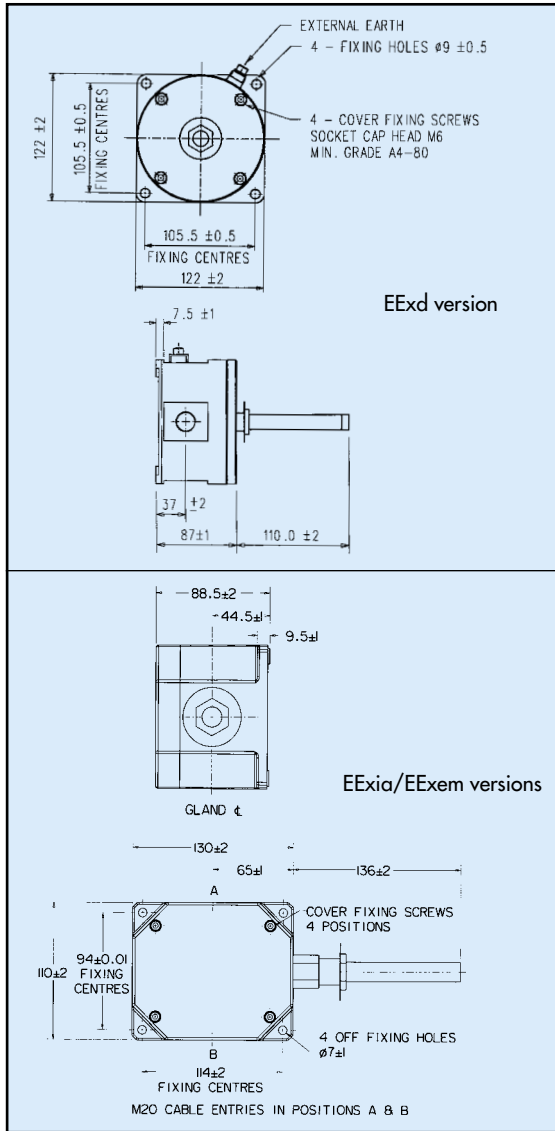
MEDC Ltd, Colliery Road,
Pinxton, Nottingham NG16 6JF, UK.
Tel: +44 (0)1773 864100
Fax: +44 (0)1773 582800

MEDC International, 5829 West Sam Houston Parkway,
North, Suite 1005, Houston, Texas 77041, USA.
Tel: +1 (713) 937 9772
Fax: +1 (713) 937 9773

MEDC Norway, Auglaendsmyråa 6,
4016, Stavanger, Norge.
Tel: +47 913 92 289
Fax: +47 914 46 030

Sales Enq. Fax: +44 (0)1773 582830 Sales Orders Fax: +44 (0)1773 582832
E-Mail: sales@medc.com Web: www.medc.com





Specification

Certification:	CENELEC EN50014, 19 & 28. EExd IIB T6 (T3 at +125°C), Cert.No. Baseefa 03ATEX0447. EExia IIC T6 (T4 with diodes/resistors), Cert. No. Baseefa 03ATEX0427. EExem II T6, Cert. No. Baseefa 03ATEX0428. GOST 'R' & 'K' Certification: Exd, Exi & Exem versions. Chinese Certification: CQST - Exd, Exi & Exem versions. CCCFC - Pending Sept. 04				
Material:	Detector:	316 stainless steel			
	Enclosures:	EExd - LM25 marine grade alloy. EExia/EExem - GRP (anti-static). Stainless steel cover screws.			
	Optional Guard:	316 stainless steel.			
Finish:	Detector:	Sand blasted.			
	Enclosures:	EExd - Epoxy painted grey as standard or to customer's specification. EExia/EExem - Self coloured black or epoxy painted to customer's specification.			
Weight:	EExd, 2kg. EExia/EExem, 1.1kg.				
Certified:	-20°C to +125°C EExd (T3) ATEX only.				
Temperature:	-20°C to +55°C EExd (T6)/EExem, -55°C to +55°C EExia.				
Ingress Protection:	IP66 & IP67.				
Operation:	The detector contact is normally open and CLOSES at alarm temperature.				
Listed Temperature Settings:	To select appropriate temperature settings, choose detector at 56°C (100°F) above maximum ambient temperature.				
	Temperature Setting (°F)	Temperature Setting (°C)	Tolerance (°F)	Tolerance (°C)	Colour Code Detector Tip
	140	60	+7/-8	± 4	Black
	160	71	+7/-8	± 4	Black
	190	88	+7/-8	± 4	White
	225	107	+7/-8	± 4	White
	275	135	± 10	± 6	Blue
	325	163	± 10	± 6	Red
	360	182	± 10	± 6	Red
	450	232	± 15	± 8	Green
	600	316	± 20	± 11	Orange
	725	385	± 25	± 14	Orange
Contact Rating:	EExd/EExem: 125V a.c.-5A, 125V d.c.-0.5A, 48V d.c.-1A. EExia: 30V-300mA.				
Terminals:	6 x 4mm ² (BK6).				
Labels:	Optional stainless steel tag and duty labels.				
Cable Entries:	2 x M20 ISO.				
Resistor:	Series & EOL resistor (maximum total 2) minimum value (each) 470Ω - only available Exd & Exi ATEX versions.				
Diodes:	Up to 2 off available in Exd & Exi ATEX versions - contact sales office.				

Ordering Requirements The following code is designed to help in the selection of the correct unit. Build up the reference number by inserting the code for each component into the appropriate box.

Standard products, available on 2 week delivery, order as follows:

Product	Description
HD1BDXXXNG	ATEX approved Ex II 2G, certified EExd IIB T6, specify temperature setting, 2 x M20 entries, marine grade alloy enclosure, painted grey.
HD1BIXXXNN	ATEX approved Ex II 1G, certified EExia IIC T6, specify temperature setting, 2 x M20 entries, GRP enclosure, natural black.
HD1BEXXXNN	ATEX approved Ex II 2G, certified EExem II T6, specify temperature setting, 2 x M20 entries, GRP enclosure, natural black.

Model	Certification	Type	Temp. Settings	Options	Enclosure Finish																																																																						
HD1																																																																											
	<table border="1"> <thead> <tr> <th>Certification</th> <th>Code</th> </tr> </thead> <tbody> <tr> <td>ATEX</td> <td>B</td> </tr> <tr> <td>GOST 'R'</td> <td>G</td> </tr> <tr> <td>GOST 'K'</td> <td>K</td> </tr> <tr> <td>Chinese (CQST)</td> <td>Q</td> </tr> </tbody> </table> <p>Note: ATEX Exd version dual marked for T3 at +125°C and T6 at +55C.</p>	Certification	Code	ATEX	B	GOST 'R'	G	GOST 'K'	K	Chinese (CQST)	Q	<table border="1"> <thead> <tr> <th>Type</th> <th>Code</th> </tr> </thead> <tbody> <tr> <td>Exd</td> <td>D</td> </tr> <tr> <td>Exe</td> <td>E</td> </tr> <tr> <td>Exi</td> <td>I</td> </tr> </tbody> </table>	Type	Code	Exd	D	Exe	E	Exi	I	<table border="1"> <thead> <tr> <th>Temp °F</th> <th>Code</th> </tr> </thead> <tbody> <tr> <td>140</td> <td>140</td> </tr> <tr> <td>160</td> <td>160</td> </tr> <tr> <td>190</td> <td>190</td> </tr> <tr> <td>225</td> <td>225</td> </tr> <tr> <td>275</td> <td>275</td> </tr> <tr> <td>325</td> <td>325</td> </tr> <tr> <td>360</td> <td>360</td> </tr> <tr> <td>450</td> <td>450</td> </tr> <tr> <td>600</td> <td>600</td> </tr> <tr> <td>725</td> <td>725</td> </tr> </tbody> </table>	Temp °F	Code	140	140	160	160	190	190	225	225	275	275	325	325	360	360	450	450	600	600	725	725	<table border="1"> <thead> <tr> <th>Option</th> <th>Code</th> </tr> </thead> <tbody> <tr> <td>Duty Label</td> <td>D</td> </tr> <tr> <td>Tag Label</td> <td>T</td> </tr> <tr> <td>Guard</td> <td>G</td> </tr> <tr> <td>Resistor EOL*</td> <td>E</td> </tr> <tr> <td>Resistor series*</td> <td>S</td> </tr> <tr> <td>Diode(s)†</td> <td>I</td> </tr> <tr> <td>None</td> <td>N</td> </tr> </tbody> </table> <p>*Only available in ATEX Exd/Exia versions (specify value) †Only available in ATEX Exd/Exia versions (specify No.)</p>	Option	Code	Duty Label	D	Tag Label	T	Guard	G	Resistor EOL*	E	Resistor series*	S	Diode(s)†	I	None	N	<table border="1"> <thead> <tr> <th>Finish</th> <th>Code</th> </tr> </thead> <tbody> <tr> <td>Natural Black (EExe/EExi only)</td> <td>N</td> </tr> <tr> <td>Grey</td> <td>G</td> </tr> <tr> <td>Red</td> <td>R</td> </tr> <tr> <td>Blue</td> <td>B</td> </tr> <tr> <td>Yellow</td> <td>Y</td> </tr> <tr> <td>Special Finish</td> <td>S</td> </tr> </tbody> </table>	Finish	Code	Natural Black (EExe/EExi only)	N	Grey	G	Red	R	Blue	B	Yellow	Y	Special Finish	S
Certification	Code																																																																										
ATEX	B																																																																										
GOST 'R'	G																																																																										
GOST 'K'	K																																																																										
Chinese (CQST)	Q																																																																										
Type	Code																																																																										
Exd	D																																																																										
Exe	E																																																																										
Exi	I																																																																										
Temp °F	Code																																																																										
140	140																																																																										
160	160																																																																										
190	190																																																																										
225	225																																																																										
275	275																																																																										
325	325																																																																										
360	360																																																																										
450	450																																																																										
600	600																																																																										
725	725																																																																										
Option	Code																																																																										
Duty Label	D																																																																										
Tag Label	T																																																																										
Guard	G																																																																										
Resistor EOL*	E																																																																										
Resistor series*	S																																																																										
Diode(s)†	I																																																																										
None	N																																																																										
Finish	Code																																																																										
Natural Black (EExe/EExi only)	N																																																																										
Grey	G																																																																										
Red	R																																																																										
Blue	B																																																																										
Yellow	Y																																																																										
Special Finish	S																																																																										



All the above specifications, dimensions, weights and tolerances are nominal (typical) and MEDC reserve the right to vary all data without prior notice. No liability is accepted for any consequence of use.