

# SPEAKERS – Up to 15 Watts EEx n, Weatherproof DB18



**ATEX compliant for Zone 2  
gas & dust atmospheres**

## Introduction

This loudspeaker, intended for use in Zone 2, potentially explosive gas and dust atmospheres, has a power rating of up to 15 Watts and is suitable for use in all gas groups including hydrogen.

The flare and body are manufactured from a UV stable glass reinforced polyester. Stainless steel screws and mounting stirrup are incorporated to ensure a corrosion-free product.

- ★ Zone 2 use.
- ★ EEx n II T4.
- ★ ATEX compliant, Ex II 3 GD.
- ★ BASEEFA tested.
- ★ IP66 & 67.
- ★ Ambient temperature -55°C to +55°C.
- ★ 117dbA at 15 Watts at 1 metre.
- ★ Power tapings via integral transformer.
- ★ Stainless steel ratcheted swivel mounting stirrup.
- ★ Stainless steel fixtures.

MEDC Ltd, Colliery Road,  
Pinxton, Nottingham NG16 6JF, UK.  
Tel: +44 (0)1773 864100  
Fax: +44 (0)1773 582800

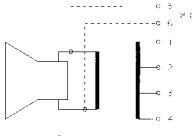
MEDC International, 5829 West, Sam Houston Parkway North,  
Suite 1005, Houston, Texas 77041, USA.  
Tel: +1 (713) 937-9772  
Fax: +1 (713) 937-9773

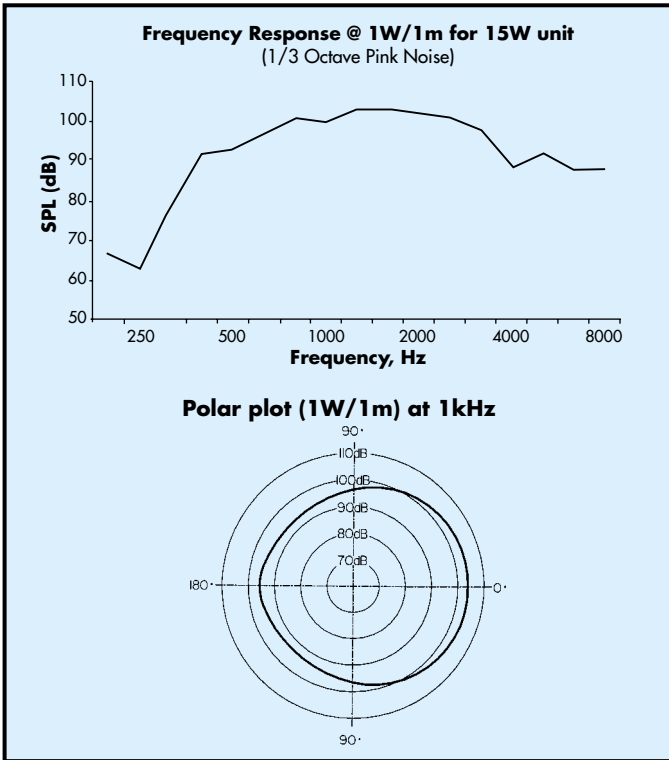
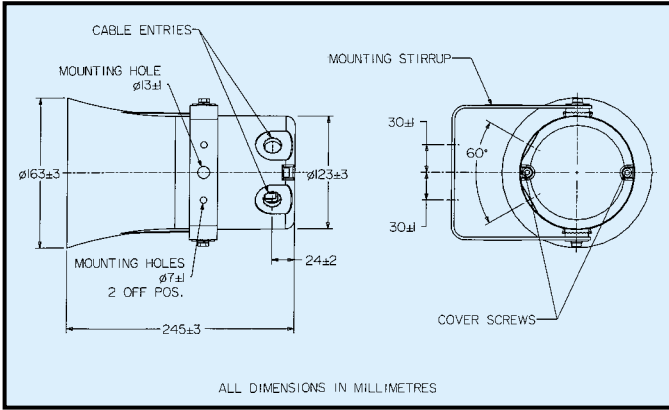
MEDC Norway, Børehaugen 3,  
4006, Stavanger, Norge.  
Tel: +47 51 91 75 80  
Fax: +47 51 91 75 89

Sales Enq. Fax: +44 (0)1773 582830 Sales Orders Fax: +44 (0)1773 582832  
E-Mail: [sales@medc.com](mailto:sales@medc.com) Web: [www.medc.com](http://www.medc.com)



## Specification

Rated Power:	15 watts RMS continuous (at 25°C).														
Compliance:	CENELEC EN50014, 21. EEx n II T 135°C (-55°C to +55°C) T4, Zone 2.														
Material:	Body & horn in anti-static, UV stable, glass reinforced polyester. Mounting stirrup and fixtures in stainless steel.														
Finish:	All natural or body and horn can be painted to client requirements.														
Output:	Maximum output at 1W/1m at 900Hz is 107 dBA. Maximum output at 15W/1m at 900Hz is 117 dBA.														
Weight:	2.6kg approx.														
Ambient Temperature:	-55°C to +55°C.														
Ingress Protection:	IP66 & IP67.														
Frequency Range:	400Hz to 7kHz.														
Voice Coil Impedance:	8 ohms.														
Transformer:	Used by combining the rated power tapplings below.														
	<table border="1"> <thead> <tr> <th>Transformer Tappings</th> <th>Power 15W</th> </tr> </thead> <tbody> <tr> <td>1:2</td> <td>15.0</td> </tr> <tr> <td>2:3</td> <td>7.5</td> </tr> <tr> <td>3:4</td> <td>5.0</td> </tr> <tr> <td>1:3</td> <td>4.0</td> </tr> <tr> <td>2:4</td> <td>2.0</td> </tr> <tr> <td>1:4</td> <td>0.8</td> </tr> </tbody> </table>	Transformer Tappings	Power 15W	1:2	15.0	2:3	7.5	3:4	5.0	1:3	4.0	2:4	2.0	1:4	0.8
Transformer Tappings	Power 15W														
1:2	15.0														
2:3	7.5														
3:4	5.0														
1:3	4.0														
2:4	2.0														
1:4	0.8														
	 <p>Transformer Tappings (Option (iii) shown)</p>														
Transformer Options:															
Standard:	i) Loop in/Loop out (4 x 2) power tap change; 8 terminals.														
Optional:	ii) Loop in/loop out (2 x 2) 8 ohm; 4 terminals. iii) 4 terminal tap change with 2 terminals (5 & 6), directly connected to driver (8 ohms).														
Terminals:	Up to 8 x 2.5mm <sup>2</sup> .														
Earth Continuity:	Available.														
Mounting:	Via stirrup with ratchet facility.														
Labels:	Optional stainless steel tag and duty labels.														
Cable Entries:	2 x M20 ISO.														



## Ordering Requirements

The following code is designed to help in the selection of the correct unit. Build up the reference number by inserting the code for each component into the appropriate box. **Standard product, available ex-stock, as follows:**

Product	Description
<b>DB18XNN</b>	EEx n II compliant, 15 Watt, 100V line transformer, 2 x M20 entries, natural black finish

Transformer	Option	Colour																										
<div style="border: 1px solid black; padding: 5px; width: fit-content;">DB18</div> <table border="1"> <thead> <tr> <th>Transformer</th> <th>Code</th> </tr> </thead> <tbody> <tr> <td>Yes</td> <td>X*</td> </tr> <tr> <td>Transformer and 8 ohm terminals</td> <td>X8</td> </tr> <tr> <td>None (direct to driver)</td> <td>N</td> </tr> </tbody> </table> <p>*Standard 100V Other voltages available, specify voltage.</p>	Transformer	Code	Yes	X*	Transformer and 8 ohm terminals	X8	None (direct to driver)	N	<table border="1"> <thead> <tr> <th>Option</th> <th>Code</th> </tr> </thead> <tbody> <tr> <td>Duty label</td> <td>D*</td> </tr> <tr> <td>Tag label</td> <td>T*</td> </tr> <tr> <td>Earth continuity</td> <td>E</td> </tr> <tr> <td>None</td> <td>N</td> </tr> </tbody> </table> <p>*Please specify wording</p>	Option	Code	Duty label	D*	Tag label	T*	Earth continuity	E	None	N	<table border="1"> <thead> <tr> <th>Colour</th> <th>Code</th> </tr> </thead> <tbody> <tr> <td>Natural Black</td> <td>N</td> </tr> <tr> <td>Red</td> <td>R</td> </tr> <tr> <td>Special</td> <td>S*</td> </tr> </tbody> </table> <p>*Please specify</p>	Colour	Code	Natural Black	N	Red	R	Special	S*
Transformer	Code																											
Yes	X*																											
Transformer and 8 ohm terminals	X8																											
None (direct to driver)	N																											
Option	Code																											
Duty label	D*																											
Tag label	T*																											
Earth continuity	E																											
None	N																											
Colour	Code																											
Natural Black	N																											
Red	R																											
Special	S*																											



All the above specifications, dimensions, weights and tolerances are nominal (typical) and MEDC reserve the right to vary all data without prior notice. No liability is accepted for any consequence of use.